

PART CODE	CABLE LENGHT		CABLE TERMINATION
	FT	m	
969-0233	30.2	9.2	SPM

SEE DOCUMENT DGCG01 FOR ADDITIONAL CABLE INFORMATION
SEE DOCUMENT DGMG01 FOR ADDITIONAL MOUNTING GUIDELINES

SPECIFICATIONS	STATIC	MOBILE
RATED LOAD (LBS)	13559	9039
RATED LOAD (Kg)	6150	4100
RATED OUTPUT (mV/V)	1.44	0.96


REV.	MOD.N.	DATE	SIGNATURE	DESCRIPTION	SCALE	TOLERANCES
C	-	-	-	-		A2
B	-	-	-	-		
A	A0	04/05/11	M.B.	Emissione disegno	1/1	
				*DRAWN	*CHECKED	*APPROVED
				DATE	04/05/2011	04/05/2011
				SIGNATURE	M. BRESCIANI	A. ZENNARO
				SIGNATURE	M. BRESCIANI	A. ZENNARO
				WEIGHT	5.362	ROUGHNESS
				*REFER TO ORIGINAL DRAWING IF SIGNATURE ARE PRINTED		
				DESCRIPTION		
				MOBILE Load Cell DG8500/54-AB C=9.2m + SPM_DG		
				CODE	969-0233	REV. A0
				THE COPY OF THIS DRAWING MUST BE APPROVED BY DINAMICA GENERALE		

This documents is for reference, dimensions are subject to change.

ALL RIGHTS OF THE PROJECT STRICTLY RESERVED TO DINAMICA GENERALE. REPRODUCTION OR ISSUE TO THIRD PARTIES IN ANY FORM WHATEVER IS, NOT PERMITTED WITHOUT WRITTEN AUTHORIZATION FROM DINAMICA GENERALE

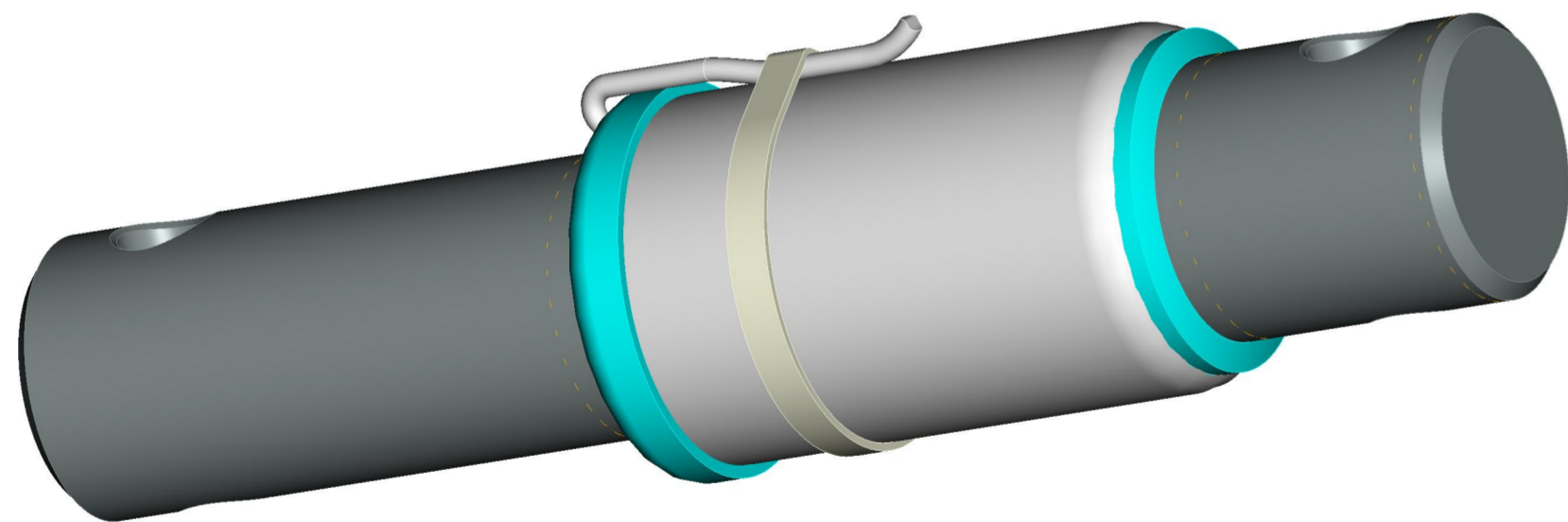
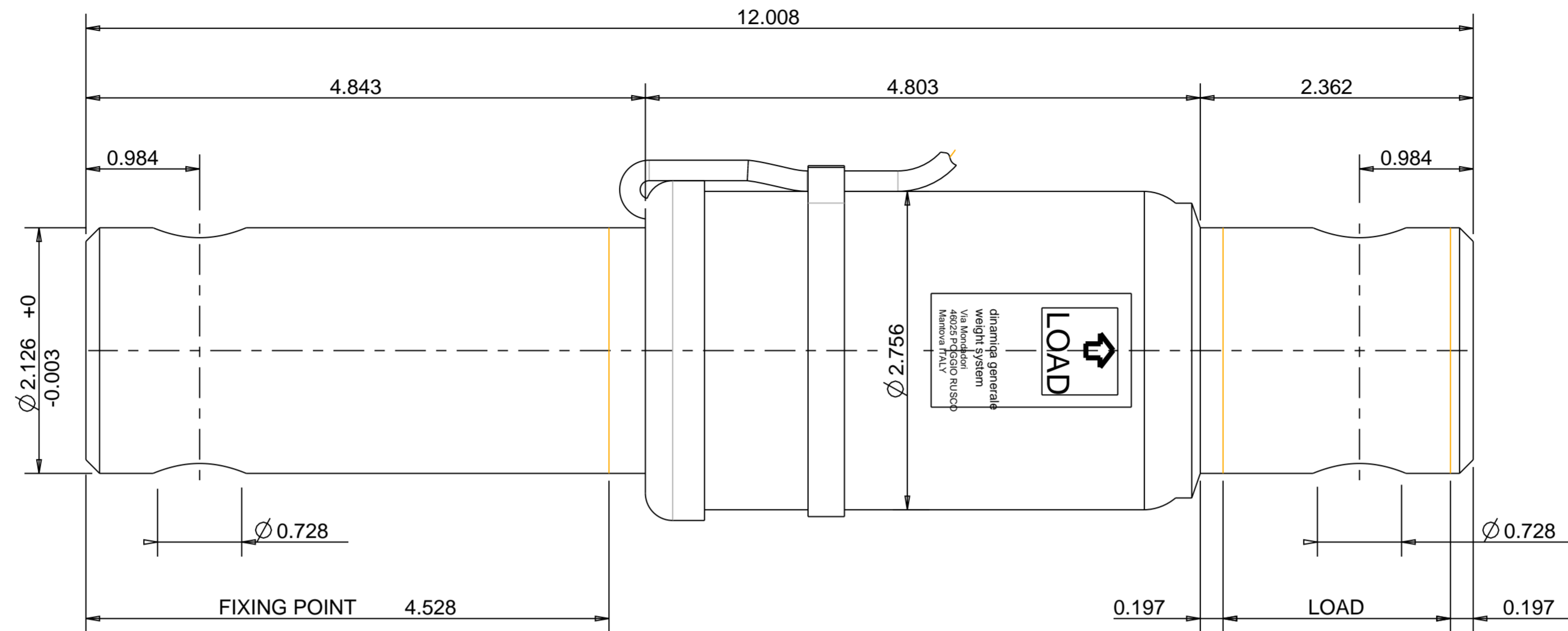
INPUT +	RED
INPUT -	BLACK
OUTPUT +	GREEN
OUTPUT -	WHITE

INPUT IMPEDENCE (Ω)	350/380
OUTPUT IMPEDENCE (Ω)	350 \pm 1
MAXIMUM EXCITATION (V)	15
INSULATION (M Ω)	\geq 5000
OPERATING TEMPERATURE RANGE (°C)	-45/+70
GRADE OF PROTECTION	IP 68



DINAMICA GENERALE
 Weight Systems
 46025 Poggio Rusco (MN)
 Via Mondadori, 15
 Tel. ++39 0386.52134
 Fax ++39 0386.51523

MEASURES EXPRESSED IN INCHES



PART CODE	CABLE LENGHT		CABLE TERMINATION
	FT	m	
969-0233	30.2	9.2	SPM

SPECIFICATIONS	STATIC	MOBILE
RATED LOAD (LBS)	13559	9039
RATED LOAD (Kg)	6150	4100
RATED OUTPUT (mV/V)	1.44	0.96

SEE DOCUMENT DGCG01 FOR ADDITIONAL CABLE INFORMATION
SEE DOCUMENT DGMG01 FOR ADDITIONAL MOUNTING GUIDELINES

This documents is for reference, dimensions are subject to change.

ALL RIGHTS OF THE PROJECT STRICTLY RESERVED TO DINAMICA GENERALE. REPRODUCTION OR ISSUE TO THIRD PARTIES IN ANY FORM WHATEVER IS, NOT PERMITTED WITHOUT WRITTEN AUTHORIZATION FROM DINAMICA GENERALE

INPUT +	RED
INPUT -	BLACK
OUTPUT +	GREEN
OUTPUT -	WHITE

INPUT IMPEDENCE (Ω)	350/380
OUTPUT IMPEDENCE (Ω)	350 \pm 1
MAXIMUM EXCITATION (V)	15
INSULATION (M Ω)	\geq 5000
OPERATING TEMPERATURE RANGE (°C)	-45/+70
GRADE OF PROTECTION	IP 68

REV.	MOD.N.	DATE	SIGNATURE	DESCRIPTION	SCALE	UNSPECIFIED TOLLERANCES	ROUGHNESS
C	-	-	-	-	A2		
B	-	-	-	-	1/1		
A	A0	04/05/11	M.B.	Emissione disegno			
REV.	MOD.N.	DATE	SIGNATURE	DESCRIPTION			
				*DRAWN	*CHECKED	*APPROVED	
				DATE	04/05/2011	04/05/2011	04/05/2011
				SIGNATURE	M.BRESCIANI	A.ZENNARO	M.GILLI
				WEIGHT	11.797	*REFER TO ORIGINAL DRAWING IF SIGNATURE ARE PRINTED	
DINAMICA GENERALE Weight Systems				DESCRIPTION			
46025 Poggio Rusco (MN) Via Mondadori, 15 Tel. ++39 0386.52134 Fax ++39 0386.51523				MOBILE Load Cell DG8500/54-AB C=9.2m + SPM_DG			
				CODE	969-0233	REV.	A0
				THE COPY OF THIS DRAWING MUST BE APPROVED BY DINAMICA GENERALE			