

SCALA 3/4

INPUT +	RED
INPUT -	BLACK
OUTPUT +	GREEN
OUTPUT -	WHITE


This document is for reference, dimensions are subject to change

PART CODE	CABLE LENGTH		CABLE TERMINATION
	FT	m	
969-0069	21.3	6.5	Plug

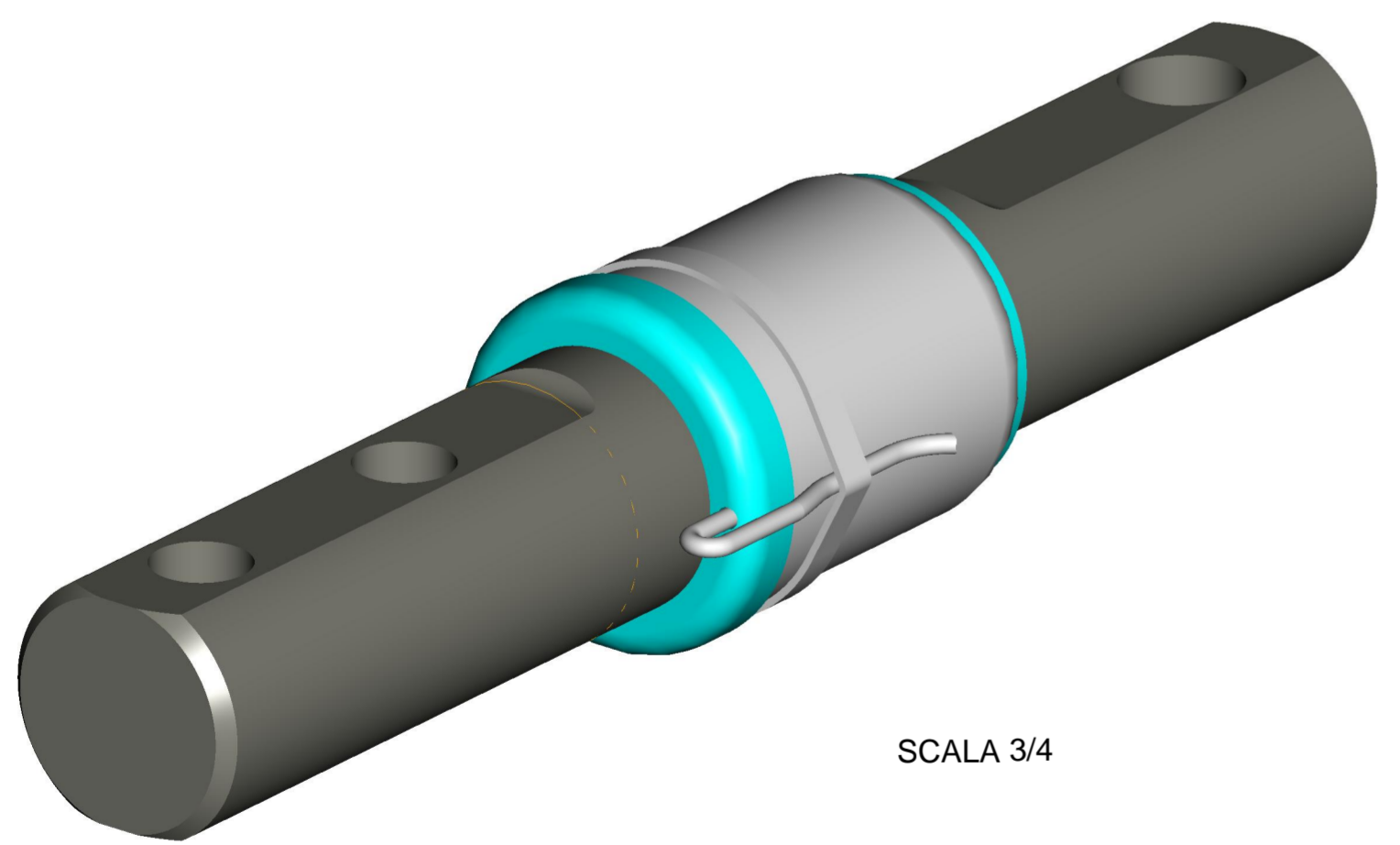
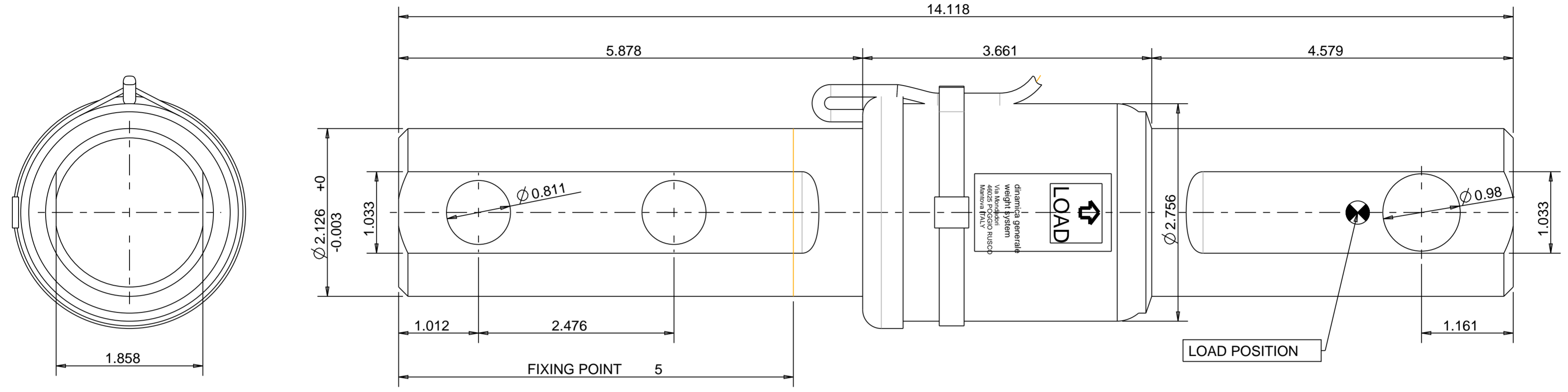
SEE DOCUMENT DGCG01 FOR ADDITIONAL CABLE INFORMATION
 SEE DOCUMENT DGMG01 FOR ADDITIONAL MOUNTING GUIDELINES

SPECIFICATIONS	STATIC	MOBILE
RATED LOAD (LBS)	13559	9039
RATED LOAD (Kg)	6150	4100
RATED OUTPUT (mV/V)	0.68	0.45

C										A2
B	A3	05/05/08	M.B.	Inserita scheda universale						SCALE
A	A2	29/03/07	M.B.	Rifatto e aggiornato						1/2
REV.	MOD.N.	DATE	SIGNATURE	DESCRIPTION						UNSPECIFIED TOLLERANCES
					*DRAWN	*CHECKED	*APPROVED			±0.5
					DATE	29/03/2007	29/03/2007	29/03/2007		
					SIGNATURE	M. BRESCIANI	A. BARBI	A. BARBI		
					WEIGHT [kg]	5.869		REFER TO ORIGINAL DRAWING IF SIGNATURE ARE PRINTED		ROUGHNESS
					DESCRIPTION					
					Cella DG18144/54-BI C=6.5m+Pip.					
					CODE	969-0069	REV.	A3	THE COPY OF THIS DRAWING MUST BE APPROVED BY DINAMICA GENERALE	


DINAMICA GENERALE
 Weight Systems
 46025 Poggio Rusco (MN)
 Via Mondadori, 15
 Tel. ++39 0386.52134
 Fax ++39 0386.51523

MEASURES EXPRESSED IN INCHES



SCALA 3/4

INPUT +	RED
INPUT -	BLACK
OUTPUT +	GREEN
OUTPUT -	WHITE

This document is for reference, dimensions are subject to change

PART CODE	CABLE LENGHT		CABLE TERMINATION
	FT	m	
969-0069	21.3	6.5	Plug

SEE DOCUMENT DGCG01 FOR ADDITIONAL CABLE INFORMATION
SEE DOCUMENT DGMG01 FOR ADDITIONAL MOUNTING GUIDELINES

SPECIFICATIONS	STATIC	MOBILE
RATED LOAD (LBS)	13559	9039
RATED LOAD (Kg)	6150	4100
RATED OUTPUT (mV/V)	0.68	0.45

C									A2
B	A3	05/05/08	M.B.	Inserta scheda universale				SCALE	1/2
A	A2	29/03/07	M.B.	Rifatto e aggiornato				UNSPECIFIED TOLLERANCES	
REV.	MOD.N.	DATE	SIGNATURE	DESCRIPTION					±0.02
					DATE	29/03/2007	29/03/2007	29/03/2007	ROUGHNESS
					SIGNATURE	M. BRESCIANI	A. BARBI	A. BARBI	
					WEIGHT [lbs]	12.939		REFER TO ORIGINAL DRAWING IF SIGNATURE ARE PRINTED	
					DESCRIPTION	Cella DG18144/54-BI C=6.5m+Pip.			
					CODE	969-0069	REV.	A3	THE COPY OF THIS DRAWING MUST BE APPROVED BY DINAMICA GENERALE

DINAMICA GENERALE
 Weight Systems
 46025 Poggio Rusco (MN)
 Via Mondadori, 15
 Tel. ++39 0386.52134
 Fax ++39 0386.51523