

DETTAGLIO A  
SCALA 2/1


PART CODE	CABLE LENGTH		CABLE TERMINATION
	FT	m	
969-0094	29.5	9	Plug

SEE DOCUMENT DGCG01 FOR ADDITIONAL CABLE INFORMATION  
SEE DOCUMENT DGMG01 FOR ADDITIONAL MOUNTING GUIDELINES

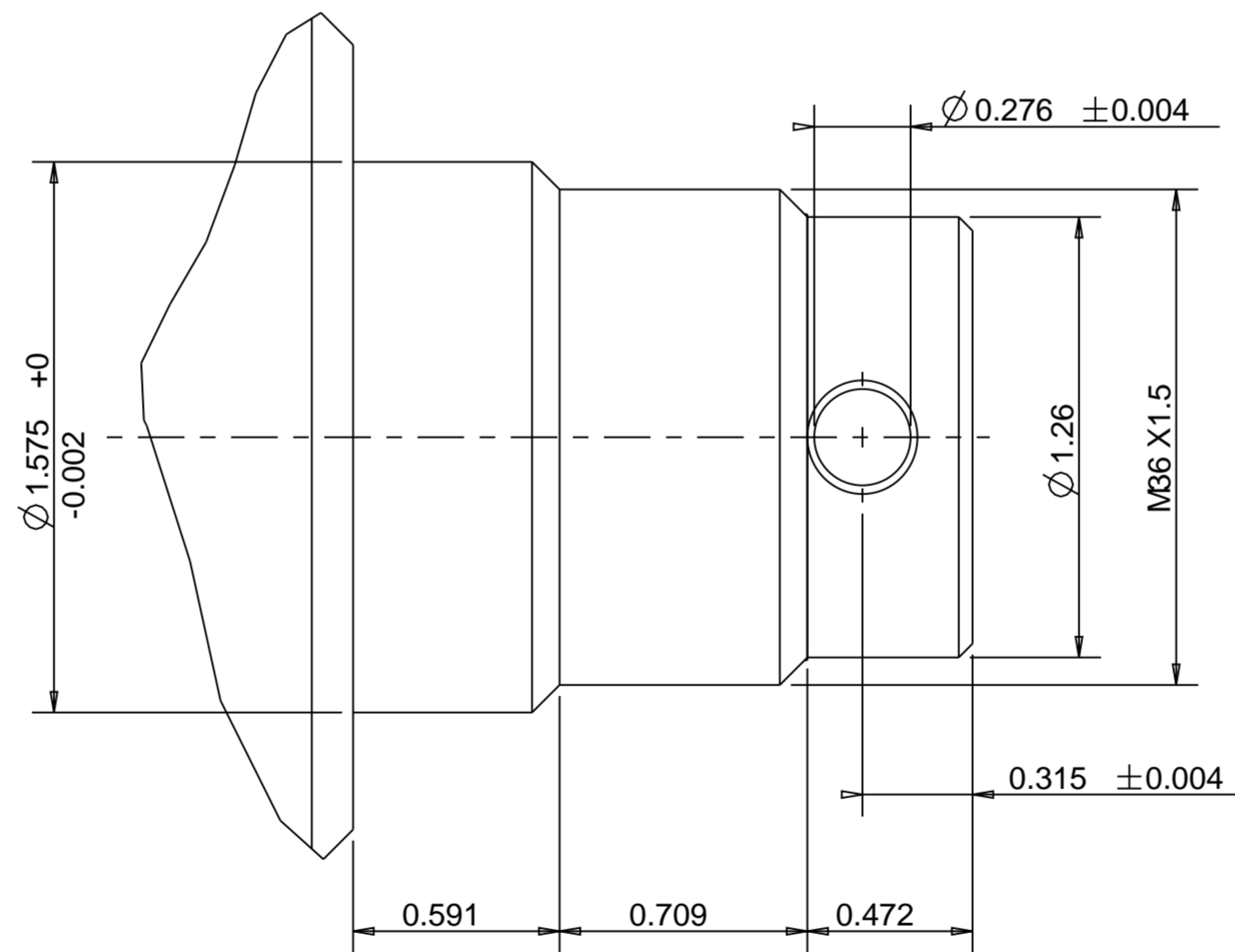
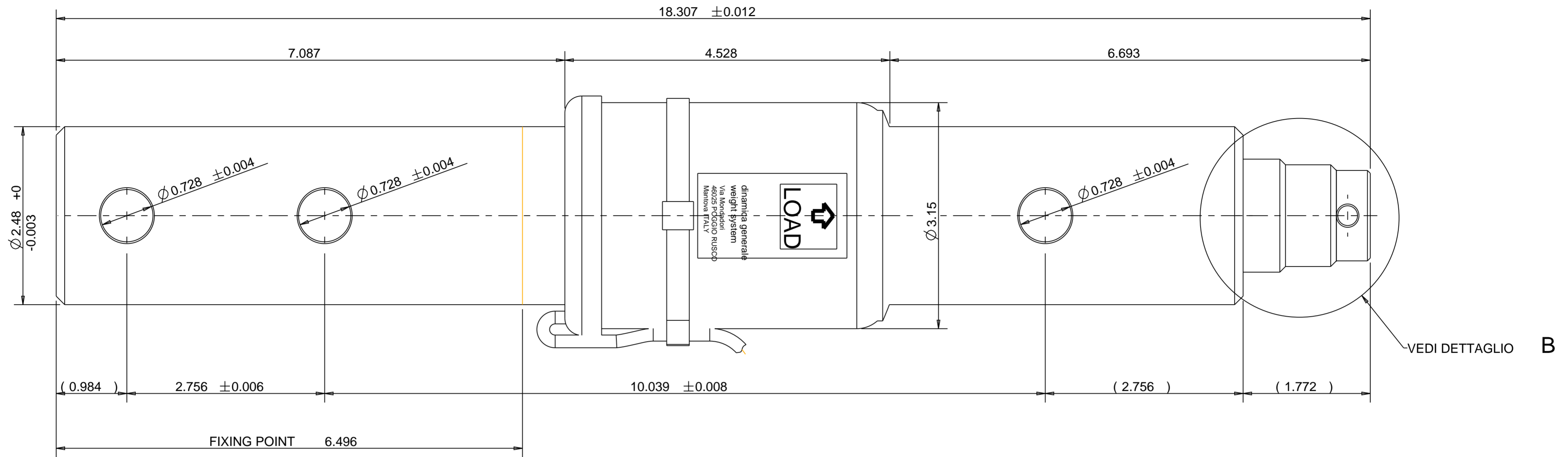
INPUT +	RED
INPUT -	BLACK
OUTPUT +	GREEN
OUTPUT -	WHITE

SPECIFICATIONS	STATIC	MOBILE
RATED LOAD (LBS)	18849	12566
RATED LOAD (Kg)	8550	5700
RATED OUTPUT (mV/V)	1.20	0.80

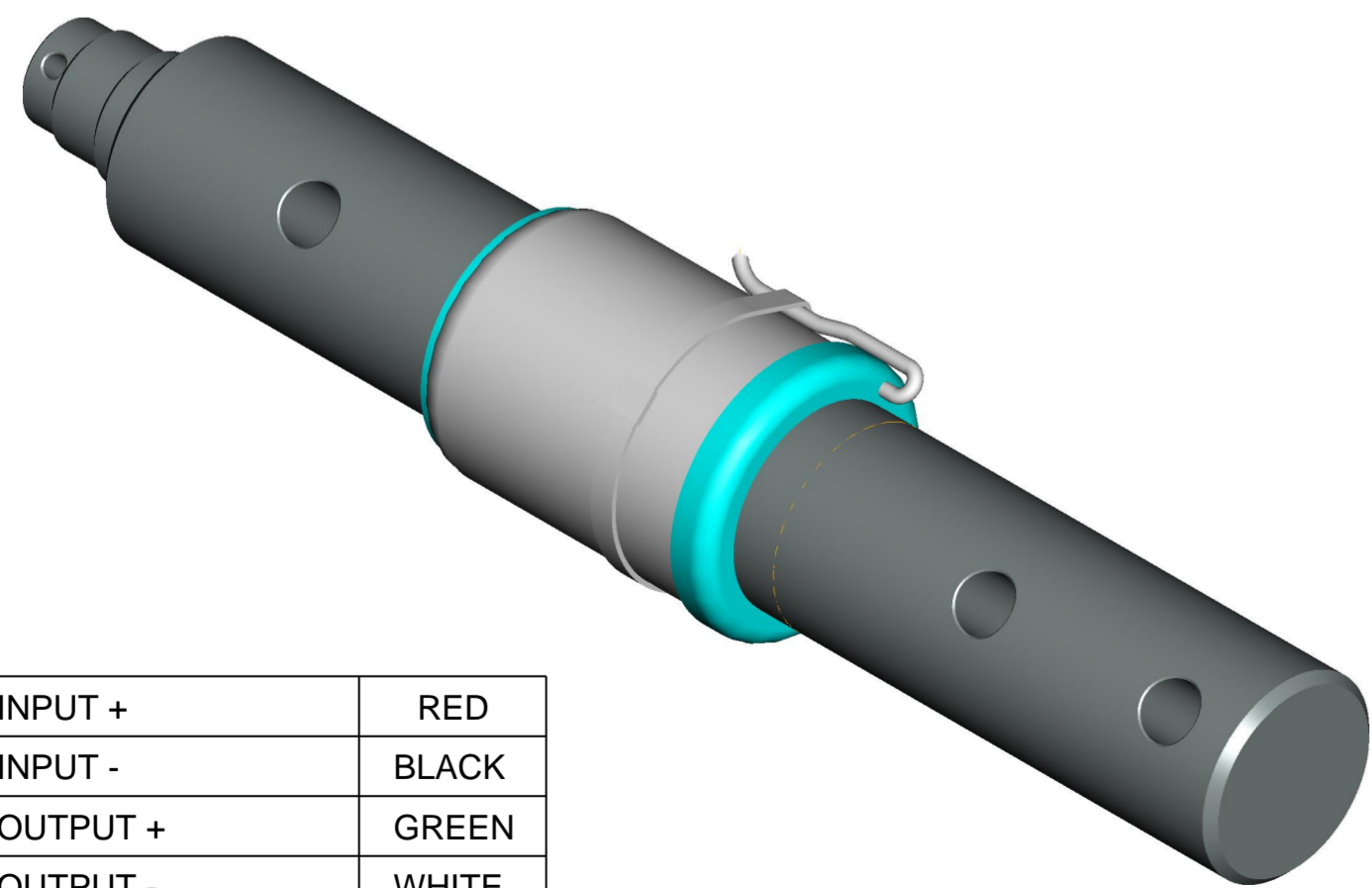
REV.	MOD.N.	DATE	SIGNATURE	DESCRIPTION	SCALE
C					A2
B	A1	05/05/08	M.B.	Inserita scheda universale	1/1
A	A0	10/11/06	M.B.	Emissione disegno	
UNSPECIFIED TOLLERANCES					
±0.5					
ROUGHNESS					
-					
DESCRIPTION					
Cella DG14250/63-BP C=9m+Pip.					
CODE					
969-0094			REV. A1		THE COPY OF THIS DRAWING MUST BE APPROVED BY DINAMICA GENERALE

  
DINAMICA GENERALE  
Weight Systems  
46025 Poggio Rusco (MN)  
Via Mondadori, 15  
Tel. ++39 0386.52134  
Fax ++39 0386.51523

MEASURES EXPRESSED IN INCHES



DETTAGLIO B  
SCALA 2/1



INPUT +	RED
INPUT -	BLACK
OUTPUT +	GREEN
OUTPUT -	WHITE


This documents is for reference dimensions are subject to change.

PART CODE	CABLE LENGHT		CABLE TERMINATION
	FT	m	
969-0094	29.5	9	Plug

SEE DOCUMENT DGCG01 FOR ADDITIONAL CABLE INFORMATIONS  
SEE DOCUMENT DGMG01 FOR ADDITIONAL MOUNTING GUIDELINES

SPECIFICATIONS	STATIC	MOBILE
RATED LOAD (LBS)	18849	12566
RATED LOAD (Kg)	8550	5700
RATED OUTPUT (mV/V)	1.20	0.80

REV.	MOD.N.	DATE	SIGNATURE	DESCRIPTION	SCALE		
C					A2		
B	A1	05/05/08	M.B.	Inserita scheda universale	1/1		
A	A0	10/11/06	M.B.	Emissione disegno			
				*DRAWN	*CHECKED	*APPROVED	UNSPECIFIED TOLLERANCES
				DATE	10/11/2006	10/11/2006	10/11/2006
				SIGNATURE	M. BRESCIANI	A. BARBI	A. BARBI
				WEIGHT [lbs]	22.868		ROUGHNESS
				*REFER TO ORIGINAL DRAWING IF SIGNATURE ARE PRINTED			
				DESCRIPTION			
				Cella DG14250/63-BP C=9m+Pip.			
				CODE	969-0094	REV.	A1
				THE COPY OF THIS DRAWING MUST BE APPROVED BY DINAMICA GENERALE			

  
DINAMICA GENERALE  
Weight Systems  
46025 Poggio Rusco (MN)  
Via Mondadori, 15  
Tel. ++39 0386.52134  
Fax ++39 0386.51523