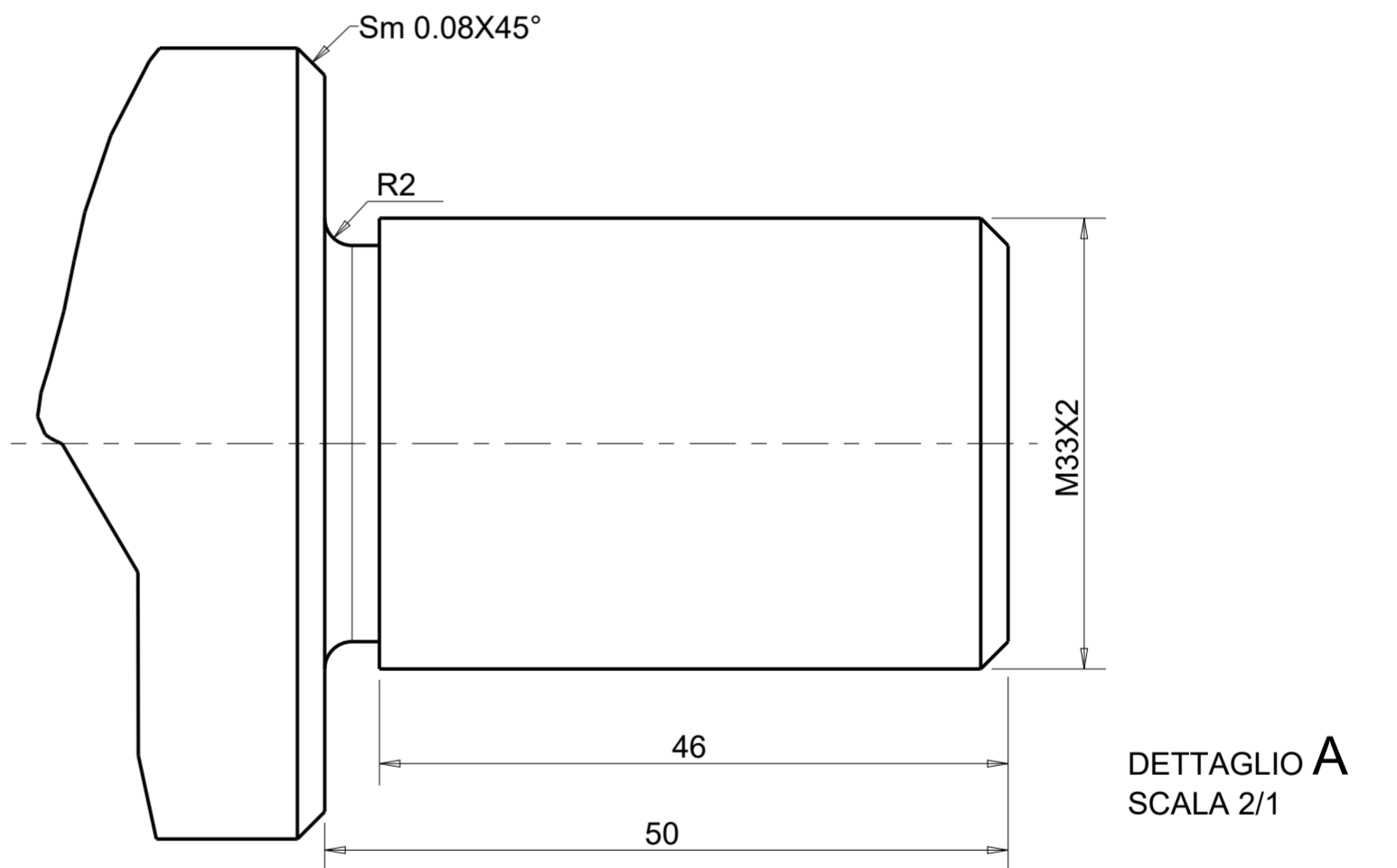
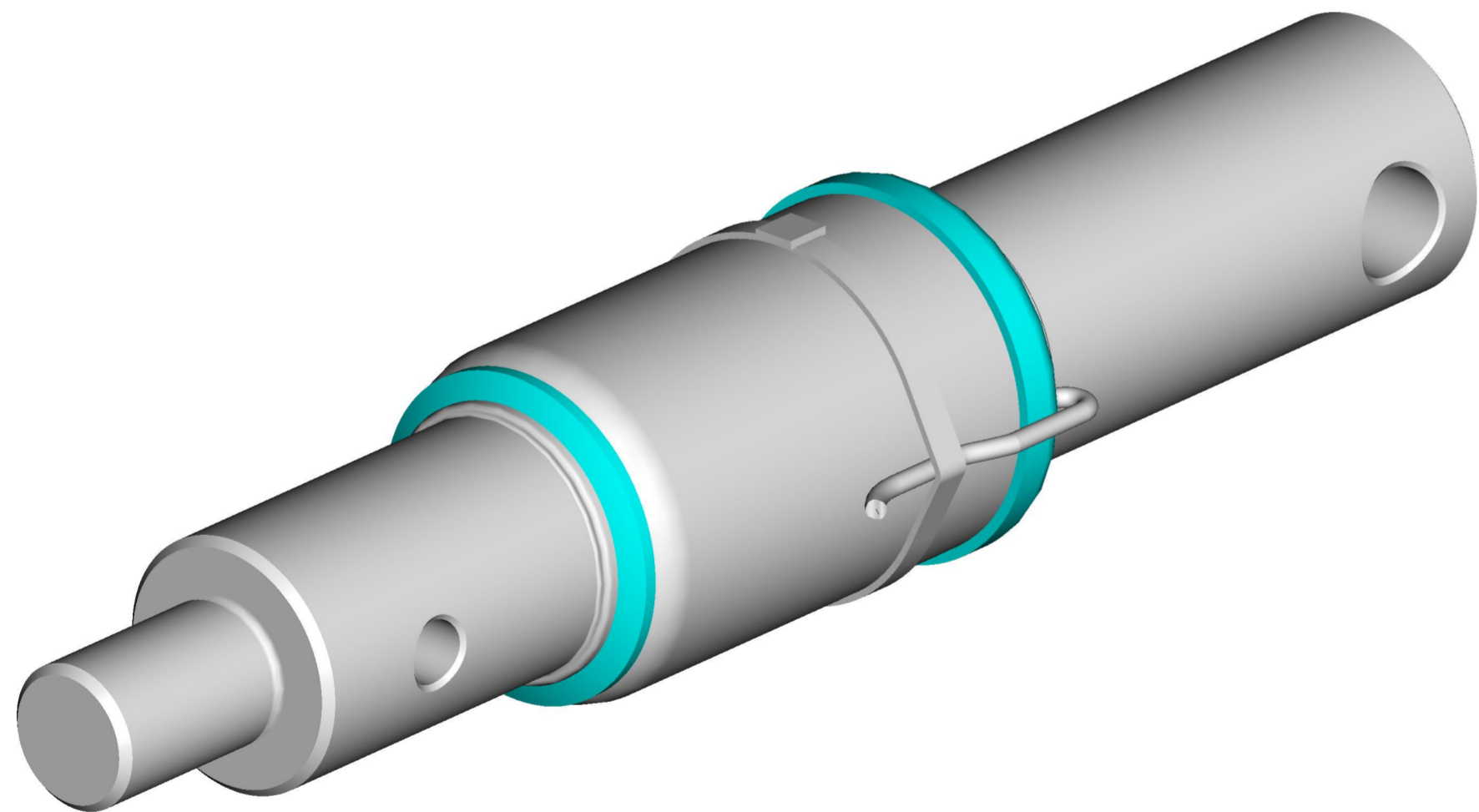


Bushing Tolerance  
 $\varnothing 63 +0.2/+0.3$



DETTAGLIO A  
 SCALA 2/1

INPUT +	RED
INPUT -	BLACK
OUTPUT +	GREEN
OUTPUT -	WHITE

SPECIFICATIONS	STATIC	MOBILE
RATED LOAD (LBS)	16535	11023
RATED LOAD (Kg)	7500	5000
RATED OUTPUT (mV/V)	1.16	0.77

PART CODE	CABLE LENGHT		CABLE TERMINATION
	FT	m	
969-0188	16.4	5	ECP

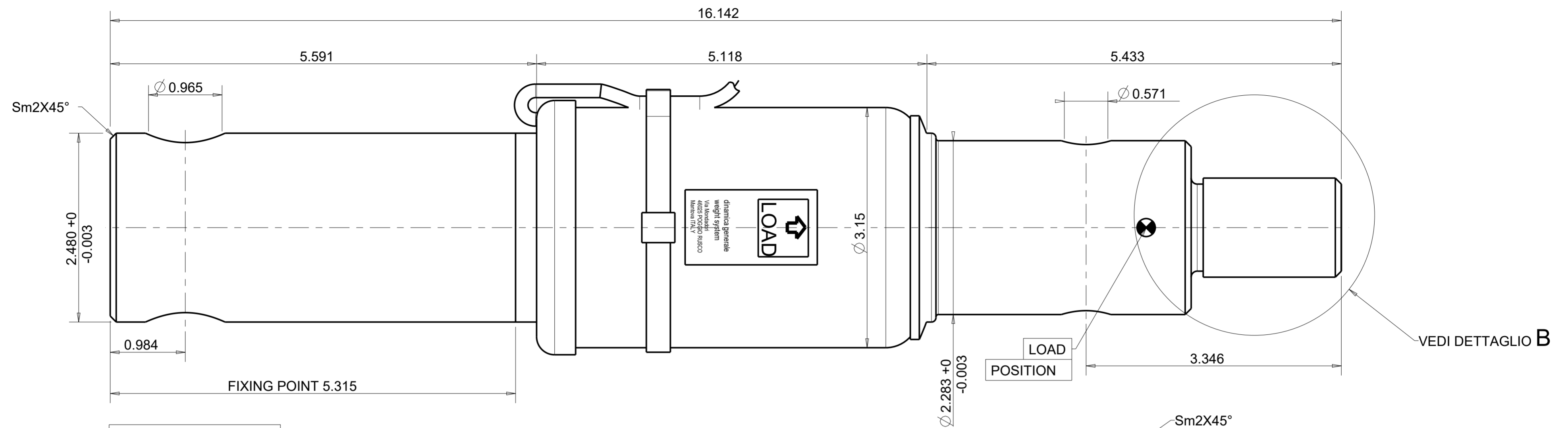
REV.	MOD.N.	DATE	SIGNATURE	DESCRIPTION	SCALE	A2
E	A4	25/07/16	M.B.	Aggiornamento fdm 180-16	1/1	A2
D	A3	24/02/16	M.B.	Aggiornamento 39-16		
C	A2	26/03/12	M.B.	Aggiornamento componenti		
B	A1	25/10/10	M.B.	Sostituzione cavo - standardizzazione codici		
A	A0	15/04/10	M.B.	Emissione disegno		
UNSPECIFIED TOLLERANCES				± 0.5		
ROUGHNESS				-		
DESCRIPTION				MOBILE Load Cell DG12954/63-AQ1 C=5m + ECP		
CODE				969-0188	A4	THE COPY OF THIS DRAWING MUST BE APPROVED BY DINAMICA GENERALE

This documents is for reference, dimensions are subject to change.

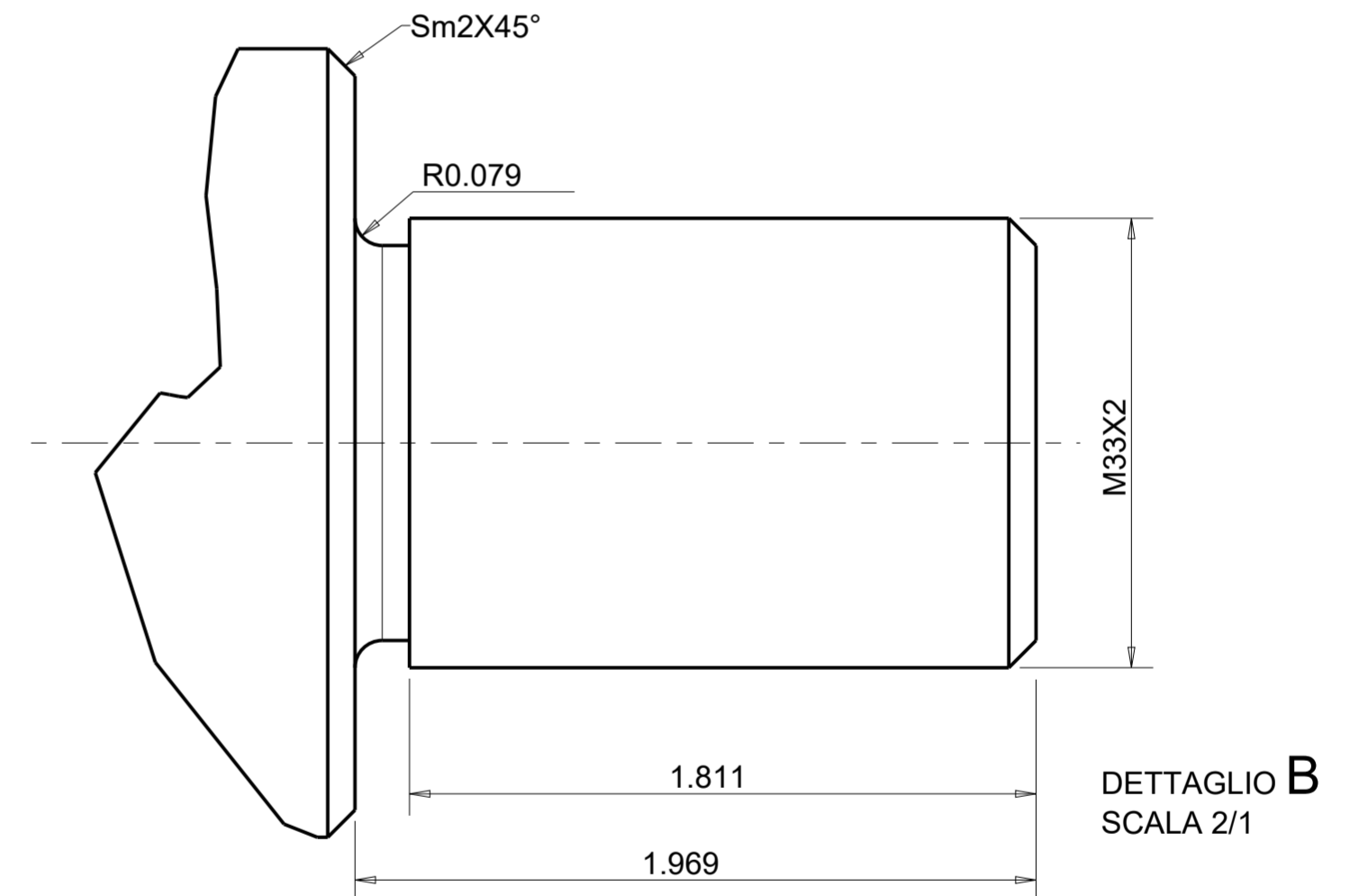
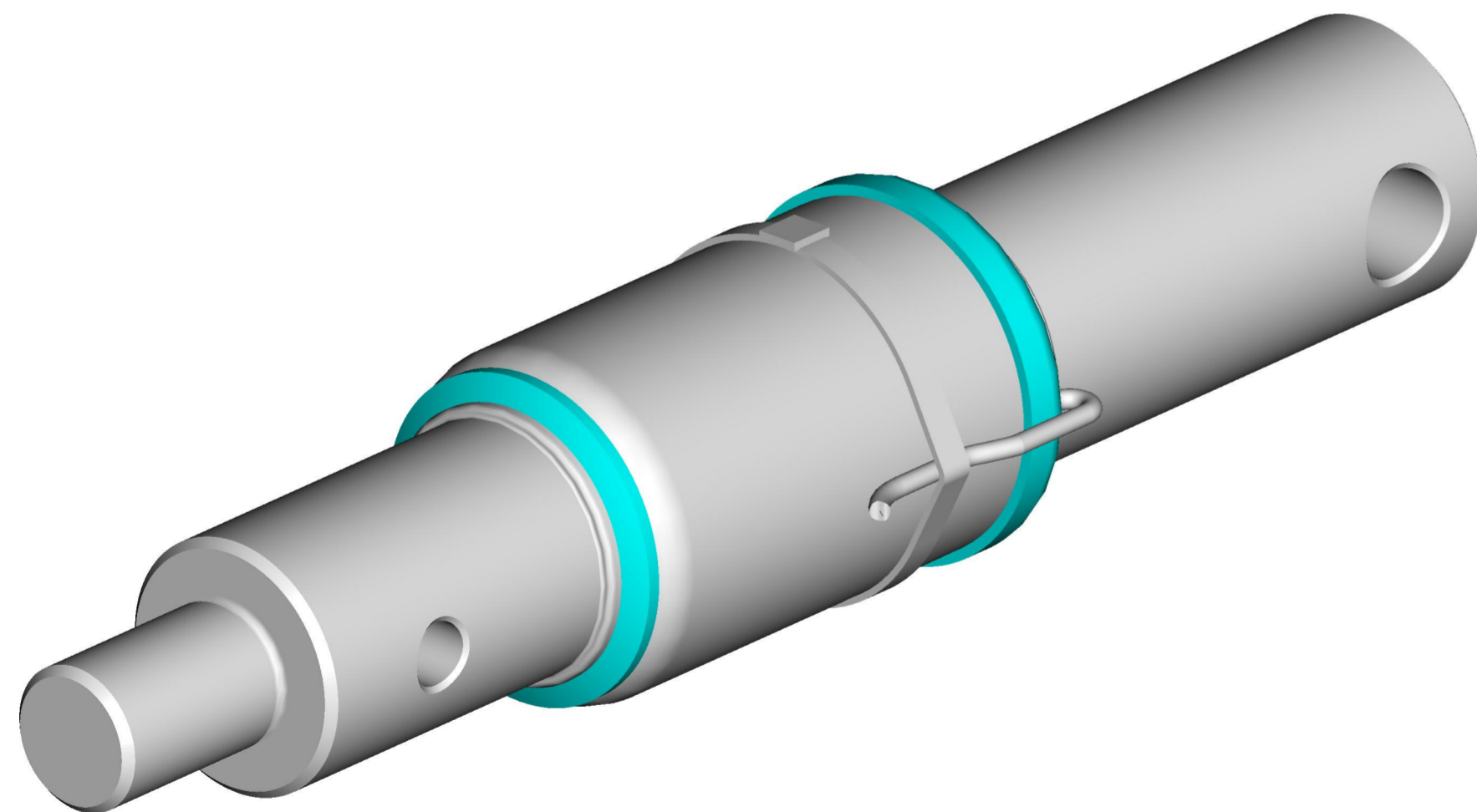
ALL RIGHTS OF THE PROJECT STRICTLY RESERVED TO DINAMICA GENERALE. REPRODUCTION OR ISSUE TO THIRD PARTIES IN ANY FORM WHATEVER IS, NOT PERMITTED WITHOUT WRITTEN AUTHORIZATION FROM DINAMICA GENERALE

**DINAMICA GENERALE**  
 Weight Systems  
 46025 Poggio Rusco (MN)  
 Via Mondadori, 15  
 Tel. ++39 0386.52134  
 Fax ++39 0386.51523

MEASURES EXPRESSED IN INCHES



Bushing Tolerance  
 $\varnothing 2.48 +0.008/+0.012$



INPUT +	RED
INPUT -	BLACK
OUTPUT +	GREEN
OUTPUT -	WHITE

SPECIFICATIONS	STATIC	MOBILE
RATED LOAD (LBS)	16535	11023
RATED LOAD (Kg)	7500	5000
RATED OUTPUT (mV/V)	1.16	0.77

PART CODE	CABLE LENGHT		CABLE TERMINATION
	FT	m	
969-0188	16.4	5	ECP

REV.	MOD.N.	DATE	SIGNATURE	DESCRIPTION	SCALE
E	A4	25/07/16	M.B.	Aggiornamento fdm 180-16	A2
D	A3	24/02/16	M.B.	Aggiornamento 39-16	
C	A2	26/03/12	M.B.	Aggiornamento componenti	
B	A1	25/10/10	M.B.	Sostituzione cavo - standardizzazione codici	
A	A0	15/04/10	M.B.	Emissione disegno	
SCALE 1/1					
UNSPECIFIED TOLLERANCES				± 0.02	
WEIGHT [lbs]				ROUGHNESS	
19.527				-	
DESCRIPTION					
MOBILE Load Cell DG12954/63-AQ1 C=5m + ECP					
CODE				REV.	
969-0188				A4	
THE COPY OF THIS DRAWING MUST BE APPROVED BY DINAMICA GENERALE					

This documents is for reference, dimensions are subject to change.

ALL RIGHTS OF THE PROJECT STRICTLY RESERVED TO DINAMICA GENERALE. REPRODUCTION OR ISSUE TO THIRD PARTIES IN ANY FORM WHATEVER IS, NOT PERMITTED WITHOUT WRITTEN AUTHORIZATION FROM DINAMICA GENERALE

**DINAMICA GENERALE**  
 Weight Systems  
 46025 Poggio Rusco (MN)  
 Via Mondadori, 15  
 Tel. ++39 0386.52134  
 Fax ++39 0386.51523