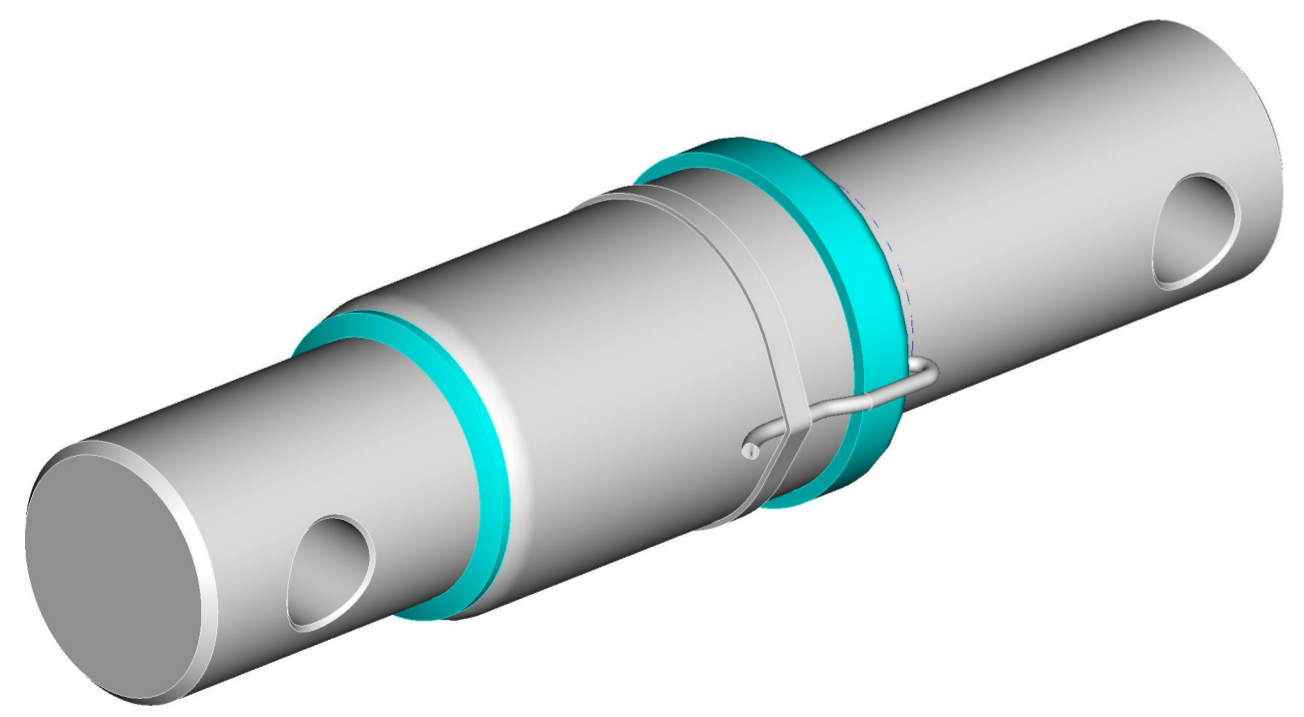


Bushing Tolerance
 $\varnothing 73 +0.2/+0.3$



This documents is for reference,
 dimensions are subject to change.

ALL RIGHTS OF THE PROJECT STRICTLY
 RESERVED TO DINAMICA GENERALE.
 REPRODUCTION OR ISSUE TO THIRD
 PARTIES IN ANY FORM WHATEVER IS,
 NOT PERMITTED WITHOUT WRITTEN
 AUTHORIZATION FROM DINAMICA GENERALE

INPUT +	RED
INPUT -	BLACK
OUTPUT +	GREEN
OUTPUT -	WHITE

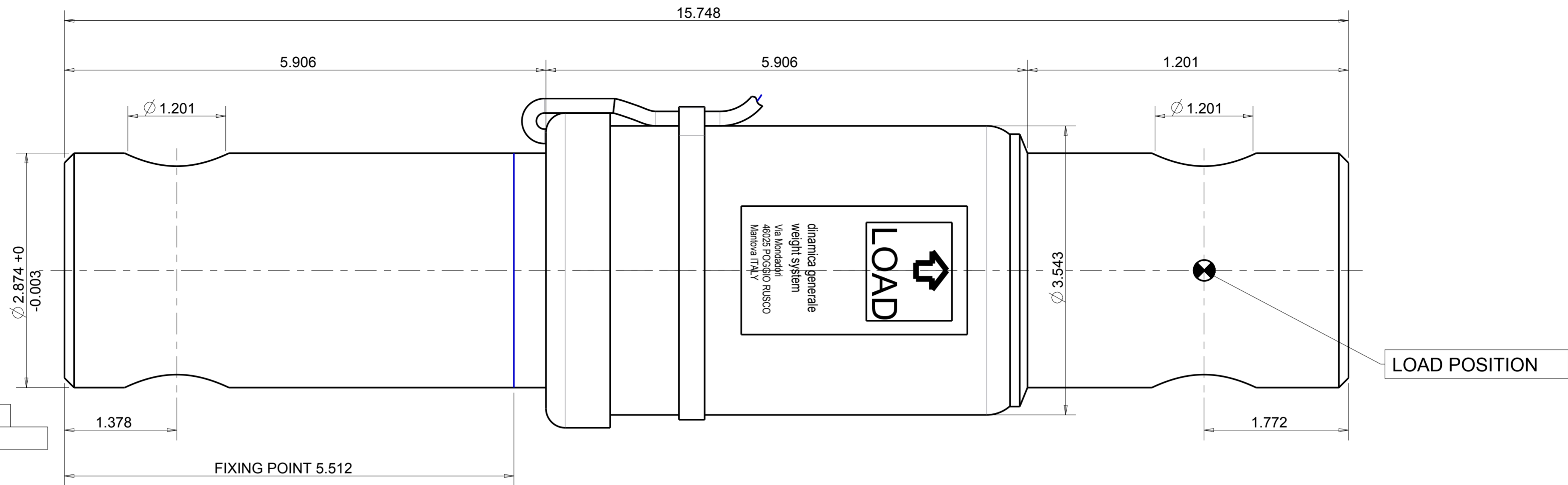
SPECIFICATIONS	STATIC	MOBILE
RATED LOAD (LBS)	24803	16535
RATED LOAD (Kg)	11250	7500
RATED OUTPUT (mV/V)	1.74	1.16

PART CODE	CABLE LENGHT		CABLE TERMINATION
	FT	m	
969-0211	16.4	5	ECP

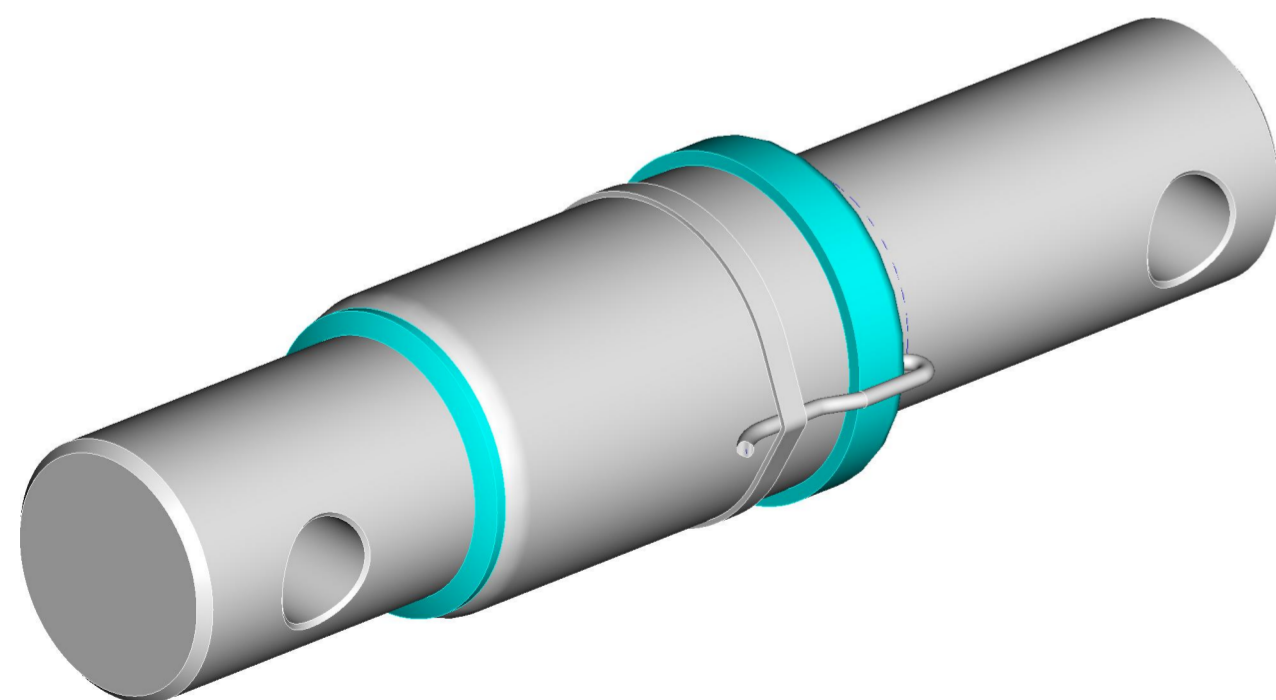
REV.	MOD.N.	DATE	SIGNATURE	DESCRIPTION	SCALE
C	A2	20/06/13	M.B.	Aggiornamento int.	A2
B	A1	25/03/13	M.B.	Aggiornamento protettivi	
A	A0	28/09/10	M.B.	Emissione disegno	
UNSPECIFIED TOLLERANCES					
1/1					
ROUGHNESS					
± 0.5					
WEIGHT [kg]					
12.245					
*REFER TO ORIGINAL DRAWING IF SIGNATURE ARE PRINTED					
DESCRIPTION					
MOBILE Load Cell DG12954/73-BE C=5m + ECP					
CODE					
969-0211					
REV.					
A2					
THE COPY OF THIS DRAWING MUST BE APPROVED BY DINAMICA GENERALE					

DINAMICA GENERALE
 Weight Systems
 46025 Poggio Rusco (MN)
 Via Mondadori, 15
 Tel. ++39 0386.52134
 Fax ++39 0386.51523

MEASURES EXPRESSED IN INCHES



Bushing Tolerance
 $\varnothing 2.874 +0.008/+0.012$



This documents is for reference, dimensions are subject to change.

ALL RIGHTS OF THE PROJECT STRICTLY RESERVED TO DINAMICA GENERALE. REPRODUCTION OR ISSUE TO THIRD PARTIES IN ANY FORM WHATEVER IS, NOT PERMITTED WITHOUT WRITTEN AUTHORIZATION FROM DINAMICA GENERALE

INPUT +	RED
INPUT -	BLACK
OUTPUT +	GREEN
OUTPUT -	WHITE

SPECIFICATIONS	STATIC	MOBILE
RATED LOAD (LBS)	24803	16535
RATED LOAD (Kg)	11250	7500
RATED OUTPUT (mV/V)	1.74	1.16

PART CODE	CABLE LENGHT		CABLE TERMINATION
	FT	m	
969-0211	16.4	5	ECP

REV.	MOD.N.	DATE	SIGNATURE	DESCRIPTION	SCALE
C	A2	20/06/13	M.B.	Aggiornamento int.	A2
B	A1	25/03/13	M.B.	Aggiornamento protettivi	
A	A0	28/09/10	M.B.	Emissione disegno	
UNSPECIFIED TOLLERANCES					
					1/1
					± 0.02
					ROUGHNESS
					-
DESCRIPTION					
MOBILE Load Cell DG12954/73-BE C=5m + ECP					
CODE					REV.
969-0211					A2
THE COPY OF THIS DRAWING MUST BE APPROVED BY DINAMICA GENERALE					


DINAMICA GENERALE
 Weight Systems
 46025 Poggio Rusco (MN)
 Via Mondadori, 15
 Tel. ++39 0386.52134
 Fax ++39 0386.51523