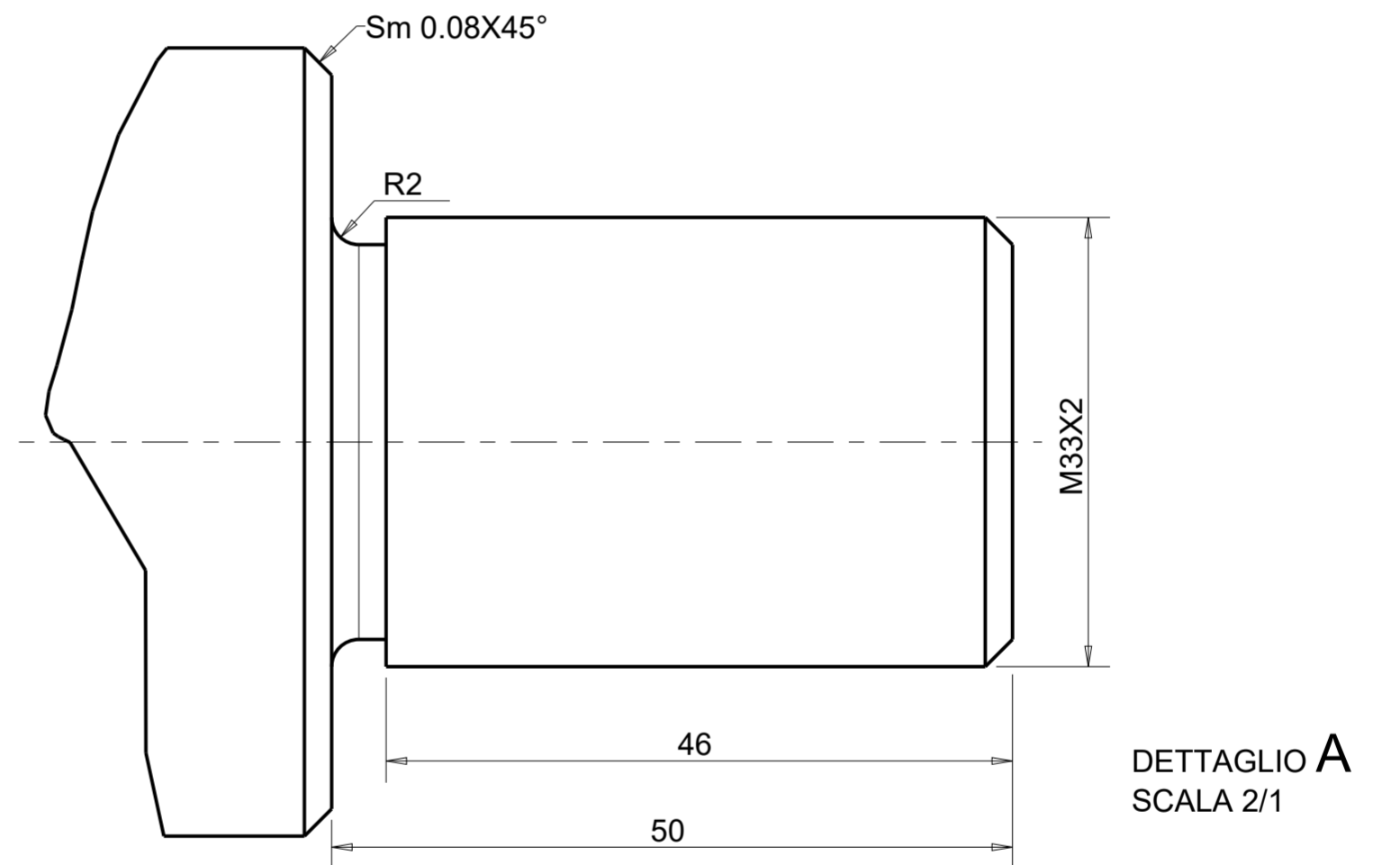
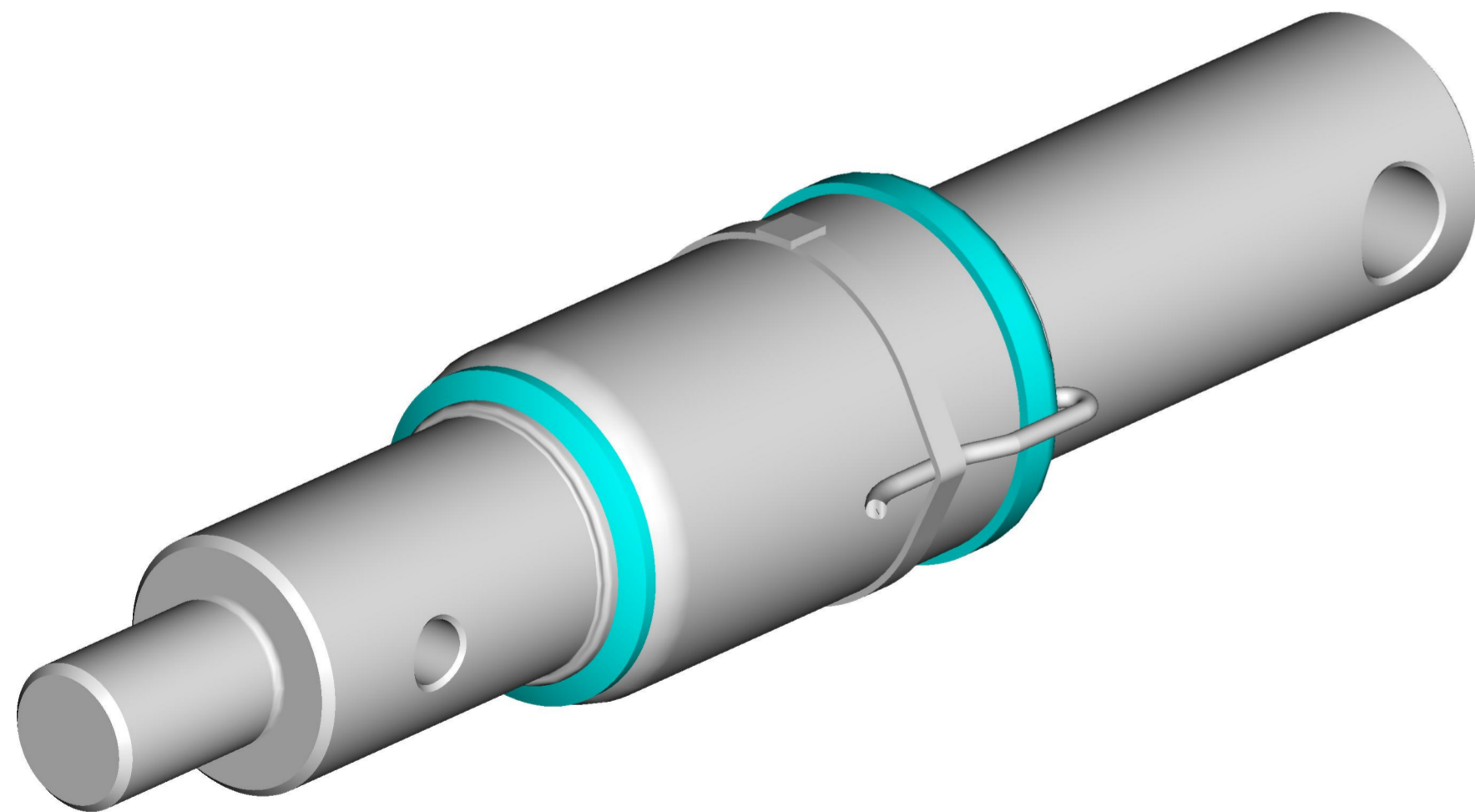


Bushing Tolerance  
 $\varnothing 63 +0.2/+0.3$



INPUT +	RED
INPUT -	BLACK
OUTPUT +	GREEN
OUTPUT -	WHITE

SPECIFICATIONS	STATIC	MOBILE
RATED LOAD (LBS)	16535	11023
RATED LOAD (Kg)	7500	5000
RATED OUTPUT (mV/V)	1.16	0.77

PART CODE	CABLE LENGHT		CABLE TERMINATION
	FT	m	
969-0188	16.4	5	ECP

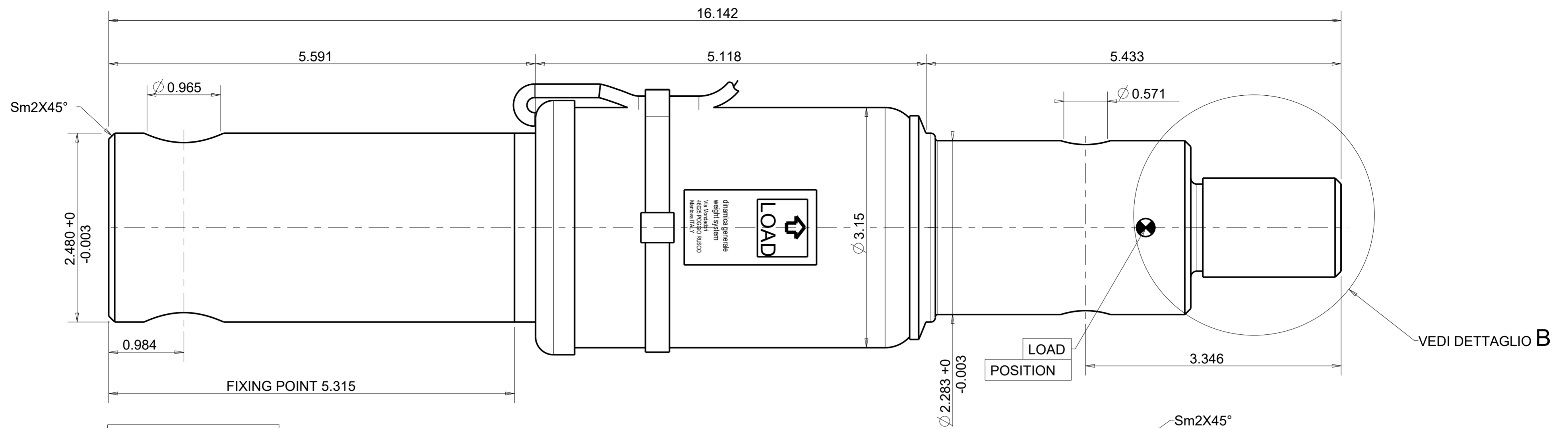
REV.	MOD.N.	DATE	SIGNATURE	DESCRIPTION	SCALE	A2
E	A4	25/07/16	M.B.	Aggiornamento fdm 180-16	1/1	A2
D	A3	24/02/16	M.B.	Aggiornamento 39-16		
C	A2	26/03/12	M.B.	Aggiornamento componenti		
B	A1	25/10/10	M.B.	Sostituzione cavo - standardizzazione codici		
A	A0	15/04/10	M.B.	Emissione disegno		
UNSPECIFIED TOLLERANCES					± 0.5	ROUGHNESS
WEIGHT [kg]						
DESCRIPTION					MOBILE Load Cell DG12954/63-AQ1 C=5m + ECP	
CODE					969-0188	A4
THE COPY OF THIS DRAWING MUST BE APPROVED BY DINAMICA GENERALE						

This documents is for reference, dimensions are subject to change.

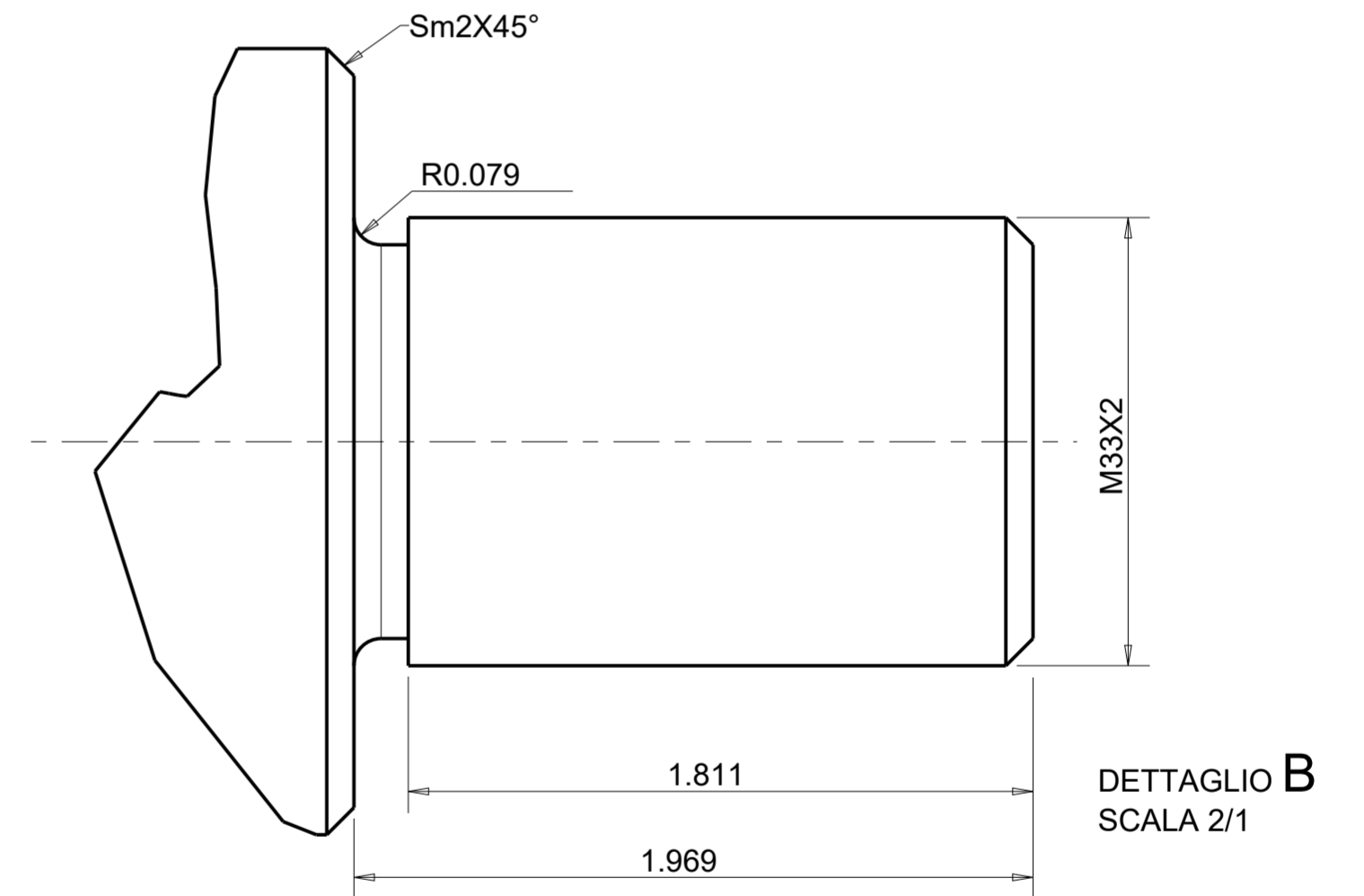
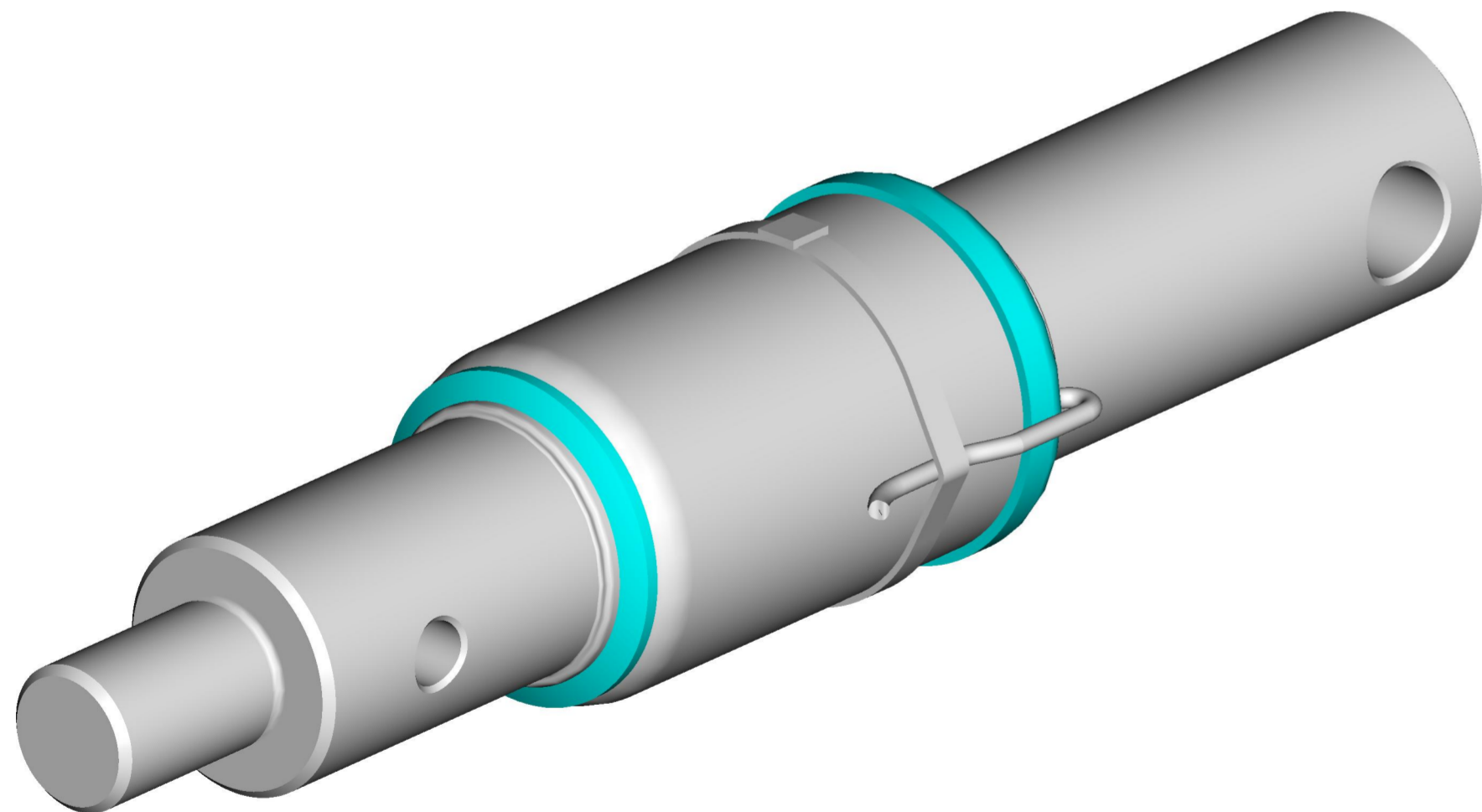
ALL RIGHTS OF THE PROJECT STRICTLY RESERVED TO DINAMICA GENERALE. REPRODUCTION OR ISSUE TO THIRD PARTIES IN ANY FORM WHATEVER IS, NOT PERMITTED WITHOUT WRITTEN AUTHORIZATION FROM DINAMICA GENERALE

**DINAMICA GENERALE**  
 Weight Systems  
 46025 Poggio Rusco (MN)  
 Via Mondadori, 15  
 Tel. ++39 0386.52134  
 Fax ++39 0386.51523

MEASURES EXPRESSED IN INCHES



Bushing Tolerance  
 $\varnothing 2.48 +0.008/+0.012$



INPUT +	RED
INPUT -	BLACK
OUTPUT +	GREEN
OUTPUT -	WHITE

SPECIFICATIONS	STATIC	MOBILE
RATED LOAD (LBS)	16535	11023
RATED LOAD (Kg)	7500	5000
RATED OUTPUT (mV/V)	1.16	0.77

PART CODE	CABLE LENGHT		CABLE TERMINATION
	FT	m	
969-0188	16.4	5	ECP

REV.	MOD.N.	DATE	SIGNATURE	DESCRIPTION	SCALE	A2																
E	A4	25/07/16	M.B.	Aggiornamento fdm 180-16	1/1	A2																
D	A3	24/02/16	M.B.	Aggiornamento 39-16																		
C	A2	26/03/12	M.B.	Aggiornamento componenti																		
B	A1	25/10/10	M.B.	Sostituzione cavo - standardizzazione codici																		
A	A0	15/04/10	M.B.	Emissione disegno																		
<table border="1"> <thead> <tr> <th>*DRAWN</th> <th>*CHECKED</th> <th>*APPROVED</th> <th>UNSPECIFIED TOLLERANCES</th> </tr> </thead> <tbody> <tr> <td>DATE: 15/04/2010</td> <td>15/04/2010</td> <td>15/04/2010</td> <td>± 0.02</td> </tr> <tr> <td>SIGNATURE: M.BRESCIANI</td> <td>A.ZENNARO</td> <td>M.GILLI</td> <td>ROUGHNESS</td> </tr> <tr> <td colspan="2">WEIGHT [lbs]: 19.527</td> <td colspan="2">*REFER TO ORIGINAL DRAWING IF SIGNATURE ARE PRINTED</td> </tr> </tbody> </table>				*DRAWN	*CHECKED	*APPROVED	UNSPECIFIED TOLLERANCES	DATE: 15/04/2010	15/04/2010	15/04/2010	± 0.02	SIGNATURE: M.BRESCIANI	A.ZENNARO	M.GILLI	ROUGHNESS	WEIGHT [lbs]: 19.527		*REFER TO ORIGINAL DRAWING IF SIGNATURE ARE PRINTED		DESCRIPTION: MOBILE Load Cell DG12954/63-AQ1 C=5m + ECP CODE: 969-0188 REV: A4		
*DRAWN	*CHECKED	*APPROVED	UNSPECIFIED TOLLERANCES																			
DATE: 15/04/2010	15/04/2010	15/04/2010	± 0.02																			
SIGNATURE: M.BRESCIANI	A.ZENNARO	M.GILLI	ROUGHNESS																			
WEIGHT [lbs]: 19.527		*REFER TO ORIGINAL DRAWING IF SIGNATURE ARE PRINTED																				
THE COPY OF THIS DRAWING MUST BE APPROVED BY DINAMICA GENERALE																						

This documents is for reference, dimensions are subject to change.

ALL RIGHTS OF THE PROJECT STRICTLY RESERVED TO DINAMICA GENERALE. REPRODUCTION OR ISSUE TO THIRD PARTIES IN ANY FORM WHATEVER IS, NOT PERMITTED WITHOUT WRITTEN AUTHORIZATION FROM DINAMICA GENERALE

**DINAMICA GENERALE**  
 Weight Systems  
 46025 Poggio Rusco (MN)  
 Via Mondadori, 15  
 Tel. ++39 0386.52134  
 Fax ++39 0386.51523